

NAMIC[®] Fluid Management

US Product Catalog



NAMIC® Fluid Management Products

Our Commitment to You

We will continue to innovate and improve the “Gold Standard” NAMIC Product Line, which for over 30 years, cardiologists, radiologists, technicians and nurses have come to trust.

Our commitment to develop quality products has resulted in a broad product portfolio, available in both single sterile and Convenience Kits, designed to meet the true challenges of your lab.

Our product catalog includes the most widely requested products that our customers are currently using. If you do not see an option that will meet your needs, contact your local area Territory Manager or Customer Service for availability.

We hold ourselves accountable to deliver solutions for our customers that enhance the quality of life for patients.



Ordering Information

Place your order directly with Customer Service by mail, telephone, fax or Electronic Data Interchange (EDI).

Navilyst Medical, Inc.
10 Glens Falls Technical Park
Glens Falls, NY 12801

Phone: 800.833.9973

Fax: 800.782.1357

Hours: Customer Service is available from 8:00 am EST to 7:00 pm EST weekdays excluding national holidays.

Table of Contents

Manifolds	
Compensator™ and Perceptor® Manifolds	1
NAMIC® Manifolds	2
Traditional Manifolds	2
Disposable Transducers and Accessories	
Disposable Transducers	3
Arterial Line Kits	3
Mounting Plates and Clamps	3
Performance Specifications	4
Reusable Transducer Cables	5
Syringes	
Angiographic Control Syringes	8
Radiology Control/Medication Syringes	8
Polycarbonate	8
Polypropylene	9
Pen and Medication Label Set	10
Fluid Delivery Sets	
IV Tubing: Spike Head	11
IV Tubing: Drip Chamber	11
Large Bore Tubing: Spike Head	12
Contrast Management Systems	
Squeeze Contrast Controller®	13
Non-Chambered In-Line Contrast Management Systems	13
Contrast Controller Spike Assembly	14
Closed Fluid Systems	
Protection Station® and Bifurcated Protection Station	15
Protection Station Plus	15
Protection Station Plus with Contrast Management	16
Angio-Sac® Collection System	16
Semi-Closed System	16
Standard Kits	
Radiology	17
Cardiology	17
Standard Right Heart Kits	17
Contrast Injection Lines	
LPCIL (Low Pressure Contrast Injection Line)	18
HPCIL (High Pressure Contrast Injection Line)	18
clearaCIL™ High Pressure Contrast Injection Line	19
flexCIL® High Pressure Contrast Injection Line	19
Pressure Monitoring Lines	
Adult Lines	20
Pediatric Lines	20
Stopcocks	
Extension Sets with Stopcocks	21
Stopcocks	22
Guidewires	
Fixed Core J-Tip	23
Fixed Core Straight	24
Movable Core J-Tip	24
Benston, Rosen, and Newton Wires	24
Interventional Devices and Accessories	
Inflation Devices	25
Y-Adaptors and Tri-Adaptors	26
Torque Devices	27
Guidewire Introducers	27
Table Covers, Patient Drapes, and Fluoroscope Covers	28
Miscellaneous Products	
Needles	29
Caps	30
Sharps Containers	30
Scalpels	30
Scissors, Gauze, Forceps	30
Reflux Valve	30
Connectors and Adaptors	30
Other Miscellaneous	30

Product images in Catalog are for illustrative purposes only and may not represent the actual device.

Manifolds provide access to saline, contrast and pressure monitoring.

Standard Specifications

Body Material: Clear Polycarbonate
Handle Material: Acetal
I.D. of Lumen: 0.093"

1. Compensator™ and Perceptor® Manifolds

Can be controlled by single operator within sterile field
 Reduced number of stopcock turns
 Simplifies set up, easy to use

- Widespaced finger grip body style
- Integral transducer on port closest to rotating adaptor

1A. Compensator Manifold: Uses a Pressure Monitoring Line (PML) off the Compensator port to “compensate” for the difference in manifold height.
 • Can take pressure readings at any level, as the end of the PML is at heart level on the pole

1B. Perceptor Manifold: Does not use a Pressure Monitoring Line, so manifold must be at heart level when taking pressure readings.

2. NAMIC® Manifold

- Block or finger grip body style

3. Traditional/Monitoring Manifold

- Block style
- All female ports
- Manifold is typically mounted on the pole

Options

Number of Side Ports

- Compensator/Perceptor: 1, 2, 3, 4
- Regular: 2, 3, 4
- Traditional: 2, 3, 4, 5

Port Orientation

- Right or Left-handed

Body Styles

- Finger Grip: Cut-outs for fingers between handles
- Block: No cut-outs for fingers between handles

Spacing Between Finger Grip Handles

- Wide Space: 1.625"
- Regular Space: 1.412"

Standard Handle Position/Color

- ON: Pale Blue
- OFF: White

Handle Style

- Regular
- Star

Fittings

- Compensator, Perceptor, and Regular Manifolds: Female fittings w/ swaged Rotating Adaptor on one end port
- Monitoring/Traditional Manifolds: All female fittings

Pressure Rating for Perceptor and Compensator Manifolds

- Medium Pressure Manifolds: 1379kPa (200 psi/14 bar) Static Pressure
- High Pressure Manifolds: 3447kPa (500 psi/35 bar) Static Pressure
 Transducer Side Port: 41kPa (6 psi/300 mmHg)

Handle Routing

- R2 Routing: ON handles turn from 6 to 12 o'clock
 OFF handles turn from 3 to 9 o'clock
- R3 Routing: Either handle style turns 360 degrees

Part Numbers

1A. Compensator Manifolds*

	Number of Ports	Left/Right Handed	ON/OFF Handles	Pressure	Convenience Kit Part Number	Single Sterile Part Number	Customer UPN Number	Units
	1	Right	OFF	Medium	40258107	H965700581071		Box/10
	2	Right	OFF	Medium	40258207	H965700582071		Box/10
	3	Right	OFF	Medium	40258307	H965700583071		Box/10
	4	Right	OFF	Medium	40258407	H965700584071		Box/10
	1	Right	ON	Medium	40258108	H965700581081		Box/10
	2	Right	ON	Medium	40258208	H965700582081		Box/10
	3	Right	ON	Medium	40258308	H965700583081		Box/10
	4	Right	ON	Medium	40258408	H965700584081		Box/10
	2	Left	OFF	Medium	40258217	H965700582171		Box/10
	4	Left	OFF	Medium	40258417	H965700584170		Box/10



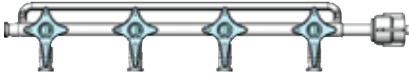

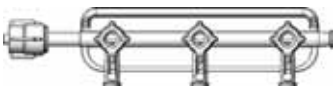
*Order pressure monitoring line separately

1B. Perceptor Manifolds

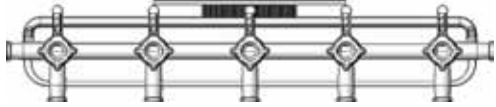
	Number of Ports	Right/Left Handed	ON/OFF Handles	Pressure	Convenience Kit Part Number	Single Sterile Part Number	Customer UPN Number	Units
	1	Right	OFF	Medium	40238107	H965700381071		Box/10
	2	Right	OFF	Medium	40238207	H965700382071		Box/10
	3	Right	OFF	Medium	40238307	H965700383071		Box/10
	4	Right	OFF	Medium	40238407	H965700384071		Box/10
	1	Right	ON	Medium	40238108	H965700381081		Box/10
	2	Right	ON	Medium	40238208	H965700382081		Box/10
	3	Right	ON	Medium	40238308	H965700383081		Box/10
	4	Right	ON	Medium	40238408	H965700384081		Box/10
	2	Left	OFF	Medium	40238217	H965700382171		Box/10
	3	Left	OFF	Medium	40238317	H965700383171		Box/10
	4	Left	OFF	Medium	40238417	H965700384171		Box/10
	1	Right	OFF	High	40337107	H749640371071		Box/10
	3	Right	OFF	High	44039307	H965640393071		Box/10

Manifolds

2. NAMIC® Manifolds

										Customer UPN Number
	Body Style	Handle Style	Extension Length	Number of Ports	Right/Left Handed	ON/OFF Handles	Pressure	Convenience Kit Part Number	Single Sterile Part Number	Units
 <p>As shown: 70038202</p>	Finger Grip	Regular		2	Right	OFF	Medium	40238200	H965700382001	Box/25
	Finger Grip	Regular		2	Right	ON	Medium	40238202	H965700382021	Box/25
	Finger Grip	Regular		3	Right	OFF	Medium	40238301	H965700383011	Box/25
	Finger Grip	Regular		3	Right	ON	Medium	40238303	H965700383031	Box/25
	Finger Grip	Regular		4	Right	OFF	Medium	40238402	H965700384021	Box/25
	Finger Grip	Regular		4	Right	ON	Medium	40238404	H965700384041	Box/25
 <p>As shown: 70036301</p>	Finger Grip	Regular	6"	2	Right	OFF	Medium	40236200	H965700362001	Box/25
	Finger Grip	Regular	6"	2	Right	ON	Medium	40236202	H965700362021	Box/25
	Finger Grip	Regular	6"	3	Right	OFF	Medium	40236301	H965700363011	Box/25
	Finger Grip	Regular	6"	3	Right	ON	Medium	40236303	H965700363031	Box/25
	Wide	Star		2	Right	OFF	Medium	40338200	H965640382001	Box/25
	Wide	Star		2	Right	ON	Medium	41338202	H965640382021	Box/25
	Wide	Star		3	Right	OFF	Medium	40338301	H965640383011	Box/25
	Wide	Star		3	Right	ON	Medium	41338303	H965640383031	Box/25
	Wide	Star		4	Right	OFF	Medium	40338402	H965640384021	Box/25
	Wide	Star		4	Right	ON	Medium	41338404	H965640384041	Box/25
 <p>As shown: 64038404</p>	Block	Regular		2	Right	OFF	Medium	40239200	H965700392001	Box/25
	Block	Regular		2	Right	ON	Medium	40239202	H965700392021	Box/25
	Block	Regular		3	Right	OFF	Medium	40239301	H965700393011	Box/25
	Block	Regular		3	Right	ON	Medium	40239303	H965700393031	Box/25
	Block	Regular		4	Right	OFF	Medium	40239402	H965700394021	Box/25
	Block	Regular		4	Right	ON	Medium	40239404	H965700394041	Box/25
	Block	Regular		2	Right	OFF	High	40237200	H965700372001	Box/25
	Block	Regular		2	Right	ON	High	40237202	H965700372021	Box/25
	Wide	Regular		3	Right	ON	High	40338314	Not Available	N/A
	Block	Regular		3	Right	OFF	High	40237301	H965700373011	Box/25
 <p>As shown: 70039402</p>	Block	Regular		3	Right	ON	High	40237303	H965700373031	Box/25
	Block	Regular		4	Right	OFF	High	40237402	H965700374021	Box/25
	Block	Regular		4	Right	ON	High	40237404	H965700374041	Box/25
	Finger Grip	Regular		2	Left	OFF	Medium	40238212	H965700382121	Box/25
	Finger Grip	Regular		3	Left	OFF	Medium	40238313	H965700383131	Box/25
	Finger Grip	Regular		4	Left	OFF	Medium	40238414	H965700384141	Box/25
	Block	Regular		2	Left	OFF	Medium	40239212	H965700392121	Box/25
	Block	Regular		3	Left	OFF	Medium	40239313	H965700393131	Box/25
	Block	Regular		4	Left	OFF	Medium	40239414	H965700394141	Box/25
	Block	Regular		2	Left	OFF	High	40237212	H965700372121	Box/25
 <p>As shown: 70039313</p>	Block	Regular		3	Left	OFF	High	40237313	H965700373131	Box/25
	Block	Regular		4	Left	OFF	High	40237414	H965700374141	Box/25

3. Traditional Manifolds

								Customer UPN Number
	Total Ports*	Side Ports	Port Fittings	Handle Style	ON/OFF Handles	Convenience Kit Part Number	Single Sterile Part Number	Units
 <p>As shown: 70039355</p>	4	2	All Female	Regular	OFF	40239352	H965700393521	Box/25
	5	3	All Female	Regular	OFF	40239353	H965900393531	Box/25
	6	4	All Female	Regular	OFF	40239354	H965700393541	Box/25
	7	5	All Female	Regular	OFF	40239355	H965700393551	Box/25

*Includes both end ports

Disposable Transducers and Accessories

Disposable Transducers are typically used to measure invasive pressures.

Products and Accessories

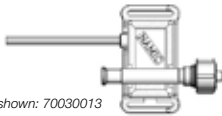
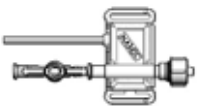
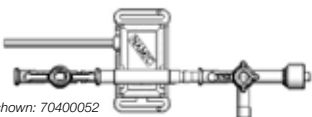
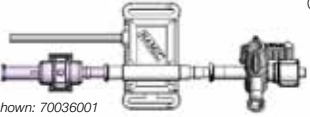
1. Disposable Transducers
 - 100% Tested for Accuracy
2. Arterial Line Kits
3. Mounting Plates and Clamps
4. Performance Specifications
5. Reusable Transducer Cables

Options

- Assemblies**
- With or without bonded stopcocks
- Cable Lengths**
- 24" or 48"


Part Numbers

1. Disposable Transducers

				Customer UPN Number		
		Stopcocks	Cable Length	Convenience Kit Part Number	Single Sterile Part Number	Units
 <p>As shown: 70030013</p>	 <p>As shown: 70030014</p>	None	24"	40030013	H965700300131	Box/10
		None	48"	40030014	H965700300141	Box/10
 <p>As shown: 70400052</p>	 <p>As shown: 70036001</p>	1-way	48"	40400057	H965704000571	Box/20
		1-way and 3-way 3-way plus	24"	40400052	H965704000521	Box/20
		3 mL/hr flush device	24"	40400050	H965700360011	Box/10
		3-way and 1-way	24"	40400055	H9657004000551	Box/20

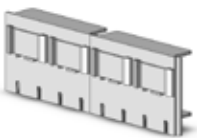
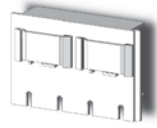
Other configurations available.

2. Arterial Line Kits

		Description	Customer UPN Number	Single Sterile Part Number	Units
 <p>As shown: 70036148</p>	48" Adult Arterial Line Kit with 3 mL/hour flush device		H965700361481	H965700361481	Box/10
	Each kit contains: 182 cm (72") Chambered IV Spike with filter; Two 3-way Stopcocks; 122 cm (48") Pressure Monitoring Line				
		60" Adult Arterial Line Kit with 3 mL/hour flush device	H965700361601	H965700361601	Box/10
		Each kit contains: 182 cm (72") Chambered IV Spike with filter; Two 3-way Stopcocks; 152 cm (60") Pressure Monitoring Line			

3. Mounting Plates and Clamps



3A. Mounting Plates

		Description	Customer UPN Number	Single Sterile Part Number	Units
 <p>As shown: 64000153</p>	 <p>As shown: 70030152</p>	Mounting Plate, holds 2 pole-mounted DTs or PML tubing for Compensator	H965700301520	H965700301520	Each
		Mounting Plate, holds 4 DTs (2 of the 70030152 bonded together)			

Not available in Convenience Kits – Order Single Sterile – Reusable
If using the Compensator Manifold, the end of the PML will hook into the "U" cut-outs on the Mounting Plate.

Disposable Transducers and Accessories

3B. Clamps

		Customer UPN Number		
		Single Sterile Part Number	Units	
 <p>As shown: 64000270</p>	 <p>As shown: 70030051</p>	Holder for single monitoring manifold	H965640002700	Each
		Plastic Clamp, holds DT in vertical position	H965700300510	Each
		Metal Clamp, holds DT in vertical position	H965700300530	Each
		Metal Clamp, holds DT in horizontal position	H965700300540	Each

4. NAMIC® Disposable Transducer Performance Specifications

Performance Specifications	
Operating Pressure Range	-30 to +300 mmHg
Operating Temperature Range	15° to 40° C
Excitation	4 to 8 VDC to 5kHz
Excitation Impedance	350 ohms ± 10%
Signal Impedance	300 ohms ± 10%
Sensitivity	5.0 µV/mmHg ± 1%
Nonlinearity and Hysteresis	± 1 mmHg plus 1% of reading from -30 to 50 mmHg ± 2% of reading from 51 to 300 mmHg
Zero Offset	± 30 mmHg
Zero Drift	± 1 mmHg/8 hours
Zero Thermal Drift	± 0.3 mmHg/° C
Sensitivity Thermal Drift	± 0.1%/° C
Overpressure	-400 to +4000 mmHg
Natural Frequency	≥ 200 Hz for transducer alone
Leakage Current	< 2µAmps at 120V RMS 60 Hz
Defibrillator Withstand	5 discharges/5 minutes of 360 Joules into 50 ohm load
Mechanical Shock	Withstands 3 drops from 1 meter
Light Sensitivity	< 1 mmHg when exposed to 3000 foot-candles from a 3400° K tungsten light source

Meets or exceeds ANSI/AAMI BP22 Standard for Blood Pressure Transducers

Disposable Transducers and Accessories

5. Reusable Transducer Cables (Refer to Images on the Following Pages)

Customer
UPN Number

Corresponding Image Number*	Pin-Out Description			Hemodynamic Monitoring System Name(s)**	Popular Model(s) Include***	UPN Part Number		Units
	Shape	Number of Pins	Type of Connection			6' Length (ft)	12' Length (ft)	
1	Rectangular	4	Male	NAMIC® Transducer Cable Fitting Images	All NAMIC Pole mounted, Perceptor and Compensator Disposable Transducers	This end is on all NAMIC Transducers		N/A
2	Round	6	Male	Arrow / Kontron	KAAT		H965640009850	Each
3	Round	5	Female	Bard	Stamp Amplifier, Lab System Pro, Duo System		H965640009880	Each
4	Round	4	Male	Camtronics / Emageon / Merge / Amicas MedCon / McKesson	Physiolog PDM 3.X, PB1000 TCS Symphony / Windsurfer	H749640420510	H749640420500	Each
5	Round	4	Male	Camtronics / Emageon / Merge / Amicas	PDM v2		H749640420610	Each
6	Round	6	Female	Datascope	All models, except Point of View & Expert	H965700406180	H965700412080	Each
7	Round	10	Female	Daytex	CardioCap 2		H965640009990	Each
8	Round	6	Female	E For M / PPG Medical Witt Biomedical / Philips	Bloom EP Series IV Analog	H749700406110	H965700412010	Each
9	Round w/Cannon Connector	6	Female	Witt Biomedical / Philips	Series IV Analog w/Cannon Connector		H965640420030	Each
10	Round	12	Male	Datascope Fukada Denshi	Expert DS3300		H965640420160	Each
11	Round	12	Male	Philips / Hewlett Packard	Rifle Shot, Intellivue, Haemosphere, HP70, XPER Flex, MP5, MP30	H965700406130	H965700412030	Each
12	Round	6	Male	J&J Critikon	Dinamap Plus, Propaq 106 EL		H965640420210	Each
13	Rectangular	11	Male	Marquette / GE	Tram Series (x00), MacLab 7000, Dash 4000, Innova	H965640406330	H965700412230	Each
14	Round	7	Male	Marquette / GE	Tram 7000, 7200 & 2000 Series	H965700406240	H965700412140	Each
15	Round	8	Male	Marquette / GE	PDS 3000		H965700412100	Each
16	Round	6	Male	Mennan	All	H965700406290	H965700412190	Each
17	Round	5	Male	Nihon Kohden	Lifescopes Series	H965700406250	H965700412150	Each
18	Round	5	Male	Prucka / Cardiolab	CLAB II, ART-1, ART-2		H965640420290	Each
19	Round	6	Male	Biomedical Instrumentation Quinton	All Models Q-Cath	H965700406170	H965700412070	Each
20	Round	5	Male	Sams	9000		H965640459800	Each
21	Round	6	Male	Siemens / Drager / Infinity	Sensis, Infinity, Hemomed / Hemopod, Artis, Delta	H965700406140	H965700412040	Each
22	Round	5	Female	Siemens / Drager / Infinity	Sircust 300		H965640420100	Each
23	Rectangular	15	Male	Siemens / Drager / Infinity	Micor, Sicor, Minograph & Cathcor	H965700406160	H965700412060	Each
24	Rectangular w/Locking Mechanism	15	Male	Siemens / Drager / Infinity	Micor, Sicor, Minograph & Cathcor		H965640009970	Each
25	Round	6	Male	Bard Siemens / Drager / Infinity Space Lab / Tektonix	CPS Transak System 8000 North American Models Mindray PM9000	H965700406210	H965700412110	Each
26	Round	5	Male	Space Lab / Tektonix	TC-SA		H965640420230	Each
27	Round	5	Male	Witt Biomedical / Philips	Series IV Digital Front End, Xper IM	H749640420530	H749640420540	Each

* Please confirm required Pin Configuration with referenced image.

** Hemodynamics Monitoring names are subject to change without notification. Some systems may not be listed.

*** Additional models not listed may contain the same pin-out.

Disposable Transducers and Accessories

5. Reusable Transducer Cables – Pin Configurations



1. Namic End – Profile Pins



2. Round, 6 Pins, Male



3. Round, 5 Pins, Male



4. Round, 4 Pins, Male



5. Round, 4 Pins, Male



6. Round, 6 Pins, Female



7. Round, 10 Pins, Female



8. Round, 6 Pins, Female



9. Round, 6 Pins, Female



10. Round, 12 Pins, Male



11. Round, 12 Pins, Male



12. Round, 6 Pin, Male



13. Rectangle, 11 Pins, Male



14. Round, 7 Pins, Male



15. Round, 8 Pins, Male

Disposable Transducers and Accessories



16. Round, 6 Pins, Male



17. Round, 5 Pins, Male



18. Round, 5 Pins, Male



19. Round, 6 Pins, Male



20. Round, 5 Pins, Male



21. Round, 6 Pins, Male



22. Round, 5 Pins, Female



23. Rectangle, 15 Pins, Male



24. Rectangle, 15 Pins, Male, Locking Mechanism



25. Round, 6 Pins, Male



26. Round, 5 Pins, Male



27. Round, 5 Pins, Male

Syringes

Syringes are used for aspiration and injection of saline or contrast.

1. Angiographic Control Syringes

- Available with or without 0.5 mL Reservoir
- Clear Polycarbonate Design
- Large Lumen

Options

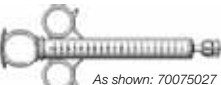
Used to Inject	Saline Contrast
Material	Polycarbonate (Hard, Clear)
Barrel Size	7, 8, 10, 12, and 20 mL
Plunger Style	Palm Pad Thumb Ring
Barrel Style	Finger Grip Finger Ring
Fitting	Male Luer Lock (MLL) Swaged Rotating Adaptor (RA)
0.5 mL Reservoir	With or Without
Piston Color	White

2. Radiology Control/Medication Syringes

Used to Inject	Saline Contrast Medication
Material	Polycarbonate (Hard, Clear) Polypropylene (Soft, Cloudy)
Barrel Size	1, 3, 5, 6, 10, 12, 20, 30, 35 and 60 mL
Plunger Style	Flat Pad
Barrel Style	Finger Grip: Long Wings Short Wings
Fitting	Male Luer Lock (MLL) Male Slip Tip (MST)
0.5 mL Reservoir	With or Without
Piston Color	Pale Blue, Bright Blue, Yellow, Purple, Green, Red, White, Clear, and Gray

Part Numbers

1. Angiographic Control Syringes



	Barrel Size	Plunger Style	Barrel Style	Fitting	0.5 mL Reservoir	Convenience Kit Part Number	Single Sterile Part Number	Customer UPN Number	Units
	7 mL	Thumb Ring	Finger Ring	Fixed MLL	Yes	40083003	H965700830031		Box/25
	7 mL	Thumb Ring	Finger Ring	Fixed MLL	No	40083013	H965700830131		Box/25
	7 mL	Thumb Ring	Finger Ring	Rotating Adaptor	Yes	40083007	H96570080071		Box/25
	7 mL	Thumb Ring	Finger Ring	Rotating Adaptor	No	40083017	H96570080171		Box/25
	8 mL	Thumb Ring	Finger Ring	Fixed MLL	Yes	40084003	H965700840031		Box/25
	8 mL	Thumb Ring	Finger Ring	Fixed MLL	No	40084013	H965700840131		Box/25
	8 mL	Thumb Ring	Finger Ring	Rotating Adaptor	Yes	40084007	H96570080071		Box/25
	8 mL	Thumb Ring	Finger Ring	Rotating Adaptor	No	40084017	H96570080171		Box/25
	10 mL	Thumb Ring	Finger Ring	Fixed MLL	Yes	40085003	H965700850031		Box/10
	10 mL	Thumb Ring	Finger Ring	Rotating Adaptor	Yes	40085007	H965700850071		Box/10
	10 mL	Thumb Ring	Finger Ring	Extended RA	Yes	40085005	H965700850051		Box/10
	10 mL	Palm Pad	Finger Ring	Fixed MLL	Yes	40095003	H965700950031		Box/10
	10 mL	Palm Pad	Finger Ring	Rotating Adaptor	Yes	40095007	H965700950071		Box/10
	10 mL	Palm Pad	Finger Grip	Rotating Adaptor	Yes	40095107	H965700951071		Box/10
	12 mL	Thumb Ring	Finger Ring	Fixed MLL	Yes	40087003	H965700870031		Box/10
	12 mL	Thumb Ring	Finger Ring	Fixed MLL	No	40088003	H965700880031		Box/10
	12 mL	Thumb Ring	Finger Ring	Rotating Adaptor	Yes	40087007	H965700870071		Box/10
	12 mL	Thumb Ring	Finger Ring	Rotating Adaptor	No	40088007	H965700880071		Box/10
	12 mL	Palm Pad	Finger Ring	Rotating Adaptor	Yes	40097007	H965700970071		Box/10
	12 mL	Palm Pad	Finger Ring	Fixed MLL	Yes	40097003	H965700970031		Box/10
	12 mL	Palm Pad	Finger Grip	Rotating Adaptor	Yes	40097107	H965700971071		Box/10
	20 mL	Thumb Ring	Finger Ring	Fixed MLL	Yes	40075023	H965700750231		Box/25
	20 mL	Thumb Ring	Finger Ring	Rotating Adaptor	Yes	40075027	H965700750271		Box/25

2A. Radiology Control/Medication Syringes: Polycarbonate

Examples	Barrel Size	Wings	Piston Color	Fitting	0.5 mL Reservoir	Convenience Kit Part Number	Single Sterile Part Number	Customer UPN Number	Units
	1 mL	Short	White	MLL	No	10127566	None		N/A
	10 mL	Short	Pale Blue	MLL	No	40506203	H965705062031		Box/25
	10 mL	Long	Pale Blue	MLL	No	40506103	None		N/A
	10 mL	Long	Pale Blue	MLL	Yes	40505103	H965705051031		Box/25

2A. Radiology Control/Medication Syringes: Polycarbonate


Customer
UPN Number

	Barrel Size	Wings	Piston Color	Fitting	0.5 mL Reservoir	Convenience Kit Part Number	Single Sterile Part Number	Units
 As shown: 70505103	10 mL	Short	Bright Blue	MLL	No	40506213	Not Available	N/A
	10 mL	Long	Bright Blue	MLL	Yes	40505113	Not Available	N/A
	10 mL	Short	Yellow	MLL	No	40506223	Not Available	N/A
	10 mL	Long	Yellow	MLL	No	40506123	Not Available	N/A
	10 mL	Long	Yellow	MLL	Yes	40505123	Not Available	N/A
	10 mL	Short	Purple	MLL	No	40506233	Not Available	N/A
	10 mL	Long	Purple	MLL	Yes	40505133	Not Available	N/A
	10 mL	Short	Green	MLL	No	40506253	Not Available	N/A
	10 mL	Long	Green	MLL	No	40400501*	Not Available	N/A
	10 mL	Long	Green	MLL	Yes	40505153	Not Available	N/A
 As shown: 70506203	10 mL	Short	Red	MLL	No	40506263	Not Available	N/A
	10 mL	Long	Red	MLL	Yes	40505163	Not Available	N/A
	10 mL	Short	White	MLL	No	40506273	Not Available	N/A
	10 mL	Long	White	MLL	Yes	40505173	Not Available	N/A
	10 mL	Long	White	MLL	No	40400502*	Not Available	N/A
	20 mL	Short	Pale Blue	MLL	No	10127128	Not Available	N/A
	20 mL	Short	Yellow	MLL	No	10127127	Not Available	N/A
	20 mL	Short	Green	MLL	No	10127126	Not Available	N/A
	20 mL	Short	Red	MLL	No	10127125	Not Available	N/A
	20 mL	Short	White	MLL	No	10127124	Not Available	N/A

*Piston is removable

2B. Radiology Control/Medication Syringes: Polypropylene

Customer
UPN Number

	Barrel Size	Rings/Wings	Piston Color	Fitting	0.5 mL Reservoir	Convenience Kit Part Number	Single Sterile Part Number	Units
 As shown: 10127660	1 mL	Short Wings	White	MST	No	10127066	Not Available	N/A
	3 mL	Short Wings	Clear	MLL	No	10127067	Not Available	N/A
	3 mL	Short Wings	Clear	MST	No	10127121	Not Available	N/A
	3 mL	Short Wings	Clear	MLL/Safety	No	10045549	Not Available	N/A
	5 mL	Short Wings	Clear	MLL	No	10127068	Not Available	N/A
	5 mL	Short Wings	Clear	MST	No	10127122	Not Available	N/A
	5 mL	Short Wings	Pale Blue	MLL	No	10127610	Not Available	N/A
	5 mL	Short Wings	Yellow	MLL	No	10127620	Not Available	N/A
	5 mL	Short Wings	Green	MLL	No	10127650	Not Available	N/A
	5 mL	Short Wings	Red	MLL	No	10127660	Not Available	N/A
	6 mL	Short Wings	Clear	MST	No	10127505	Not Available	N/A
	10 mL	3 Rings	Clear	MLL	No	10127070	Not Available	N/A
	10 mL	3 Rings	Pale Blue	MLL	No	10127711	Not Available	N/A
	10 mL	Short Wings	Pale Blue	MLL	No	10127710	Not Available	N/A
	10 mL	Short Wings	Pale Blue	MST	No	10127810	Not Available	N/A
	10 mL	Short Wings	Yellow	MLL	No	10127720	Not Available	N/A
	10 mL	Short Wings	Yellow	MLL	No	10127820	Not Available	N/A
	10 mL	Short Wings	Green	MLL	No	10127750	Not Available	N/A
	10 mL	Short Wings	Green	MST	No	10127850	Not Available	N/A
	10 mL	Short Wings	Red	MLL	No	10127760	Not Available	N/A
	10 mL	Short Wings	Red	MST	No	10127860	Not Available	N/A
	10 mL	Short Wings	Clear	MLL	No	10127063	Not Available	N/A
	10 mL	Short Wings	Clear	MST	No	10127123	Not Available	N/A
	10 mL	Short Wings	Clear	MLL/Safety	No	10045339	Not Available	N/A
	12 mL	Short Wings	Clear	MLL	No	10127076	Not Available	N/A
	12 mL	Short Wings	Clear	MST	No	10127503	Not Available	N/A
	20 mL	Short Wings	Clear	MLL	No	10127072	Not Available	N/A
	20 mL	Short Wings	Clear	MST	No	10127563	Not Available	N/A
	20 mL	Short Wings	Pale Blue	MLL	No	10127910	Not Available	N/A
	20 mL	Short Wings	Yellow	MLL	No	10127920	Not Available	N/A
	20 mL	Short Wings	Green	MLL	No	10127950	Not Available	N/A
	20 mL	Short Wings	Red	MLL	No	10127960	Not Available	N/A
	20 mL	Short Wings	White	MLL	No	10127970	Not Available	N/A
	30 mL	Short Wings	Clear	MLL	No	10127078	Not Available	N/A
	35 mL	Short Wings	Gray	MLL	No	10127507	Not Available	N/A
	35 mL	Short Wings	Gray	MST	No	10127506	Not Available	N/A
60 mL	Short Wings	Clear	MLL	No	10127077	Not Available	N/A	

Pen and Medication Label Set



30 Labels

- **Clear Polypropylene Labels**
 - will not disintergrate when wet
 - clear to allow visualization of syringe
- **20 Pre-printed Medication-Specific Labels**
 - 4 Saline
 - 4 Contrast
 - 4 Heparin/Saline
 - 2 Heparin
 - 2 Nitroglycerin
 - 2 Lidocaine
 - 1 Adenosine
 - 1 Verapamil
- **10 Blank Labels**
- **Allows user to fill in strength, date and initial.**

Pen

- Smudge-proof, Permanent Marking Pen

Not Available Single Sterile, Convenience Kits Only

Not Customizable

Part Numbers

Label Format	Description	Convenience Kit Part Number	Customer UPN Number	
			Single Sterile Part Number	Units
<div style="border: 1px solid black; padding: 5px; width: fit-content;"> Drug Name _____ Strength: _____ Date: _____ Init: _____ </div>	Permanent marking pen and medication label set	40400108	Not Available	N/A

Fluid Delivery Sets are used to administer saline and/or contrast.

Standard Specifications

Tubing: Clear PVC (Polyvinylchloride)
Fittings: Male Luer Lock
Pressure: Not Rated

Options

Spike or Drip

Chamber Drip

Tubing Length

Durometer

ID

OD

Tubing Style

1. IV Tubing

1A. Spike Head

1B. Drip Chamber

Macro Drip: 20 drops/mL

Micro Drip: 60 drops/mL

48", 60", 68", 72", 108", or 135"

80

0.118"

0.162"

Single
 Bifurcated
 Trifurcated

2. Large Bore Tubing

Spike Head

N/A

72" or 108"

83

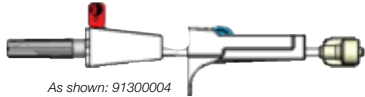
0.158"

0.214"

Single

Part Numbers

1A. IV Tubing: Spike Head

	Tubing Length	Tubing Style	Tubing Stripes	Vent	Convenience Kit Part Number	Customer UPN Number	Units
						Single Sterile Part Number	
 <p>As shown: 91300004</p>	48"	Single	—	Yes	40427038	Not Available	N/A
	68"	Bifurcated	—	Yes	40427059	Not Available	N/A
	72"	Single	—	Yes	40427004	H965913000041	Box/25
	72"	Single	—	No	40427040	H965913000401	Box/25
	72"	Single	Green	Yes	40429019	Not Available	N/A
	72"	Single	Red	Yes	40445254	Not Available	N/A
	108"	Single	—	Yes	40427007	H965913000071	Box/25

1B. IV Tubing: Drip Chamber

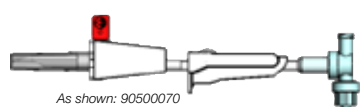
	Tubing Length	Tubing Style	Tubing Stripes	Vent	Micron Filter	Chamber Drip	Convenience Kit Part Number	Customer UPN Number	Units
								Single Sterile Part Number	
 <p>As shown: 91300052</p>	48"	Single	—	No	Yes	Macro	40427048	H965913000111	Box/25
	48"	Bifurcated	—	No	No	Macro	10027012	H965913000121	Box/25
	48"	Trifurcated	—	No	No	Macro	10027013	H965913000131	Box/25
	60"	Bifurcated	—	No	Yes	Macro	40438285	Not Available	N/A
	60"	Trifurcated	—	No	Yes	Macro	40438325	Not Available	N/A
	72"	Single	—	No	Yes	Macro	10027052	H965913000521	Box/25
	72"	Single	—	Yes	No	Macro	10029130	H965913000051	Box/25
	72"	Single	—	Yes	Yes	Macro	49000053	Not Available	N/A
	72"	Single w/inj. port	—	No	No	Macro	40427019	H965640001301	Box/25
	72"	Bifurcated	—	No	No	Macro	10027035	H965913000351	Box/25
	72"	Bifurcated	—	No	Yes	Macro	10029203	Not Available	N/A
	108"	Single	—	No	Yes	Macro	10029118	H965913000091	Box/25
	135"	Single	—	No	Yes	Macro	40427028	H749990000701	Box/25
	135"	Single	Red	No	Yes	Macro	49000225	Not Available	N/A
	135"	Single	Blue	No	Yes	Macro	49000226	Not Available	N/A

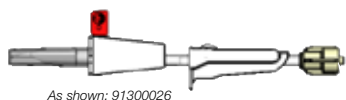
Fluid Delivery Sets

1B. IV Tubing: Drip Chamber (cont.)

	Tubing Length	Tubing Style	Tubing Stripes	Vent	Micron Filter	Chamber Drip	Convenience Kit Part Number	Customer UPN Number	
								Single Sterile Part Number	Units
	135"	Single	Yellow	No	Yes	Macro	49000227	Not Available	N/A
	135"	Single	Green	No	Yes	Macro	49000228	Not Available	N/A
	48"	Single	—	No	Yes	Micro	10027001	H965913000011	Box/25
	135"	Single	—	No	Yes	Micro	40427015	H749990000691	Box/25
	135"	Single	Red	No	Yes	Micro	49000221	Not Available	N/A
	135"	Single	Blue	No	Yes	Micro	49000222	Not Available	N/A
	135"	Single	Yellow	No	Yes	Micro	49000223	Not Available	N/A
	135"	Single	Green	No	Yes	Micro	49000224	Not Available	N/A

2. Large Bore Tubing: Spike Head

	Tubing Length	Tubing Style	Vent	Pressurized	Convenience Kit Part Number	Customer UPN Number	
						Single Sterile Part Number	Units
 As shown: 90500070	72"	Single	Yes	No	40427275	H965913000261	Box/25
	72"	Sosa	Yes	Sosa	41300031	H965913000211	Box/25
	108"	Single	Yes	Sosa	41300032	Not Available	N/A
	72"	Single w/Dual Back Check Valve	Yes	No	40401601	H965905000701	Box/10



Contrast Management Systems are designed to help manage and reduce contrast waste.

Types of Systems

1. Squeeze Contrast Controller® (Chambered)

- A (2) one-way check valve tubing assembly with an in-line squeezable chamber
- Proven microbial barrier to prevent contamination of contrast source
- Allows one contrast source for multiple patient cases; saves money
- 12 mL chamber reduces contrast waste at end of procedure
- Safety air filter prevents particulate airborne contamination of contrast in chamber
- Fast-filling, flexible chamber and unique debubbling dish
- Green ball to indicate contrast level in chamber

3. Contrast Controller Spike Assembly


- Spike is required for use with Contrast Management Systems
- Do not leave the spike assembly intact in a container for longer than 6 hours
- Do not replace the tubing assembly more than 2 times
- New spike assembly for each new bottle of contrast
- Typically ordered single sterile

2. Non-Chambered In-Line Contrast Management Systems



- A 72" line with (2) one-way in-line check valves, available with or without in-line stopcock
- Available with or without green stripe

Part Numbers

1. Squeeze Contrast Controller (Chambered)

	Squeeze Chamber	Chamber with Green Ball	One-Way Check Valves	Tubing Length	Tubing Type	Stopcock	Fitting	Convenience Kit Part Number	Customer UPN Number	Single Sterile Part Number	Units
 <p>As shown: 90400435</p>	Yes	Yes	Yes	72"	IV	No	Male/Male Luer Lock	40400435	H749904004351	Not Available	Box/10
	Yes	Yes	Yes	72"	IV	Yes, 3-way	Male/Male Luer Lock	49000080	Not Available	Not Available	N/A
	Yes	Yes	Yes	108"	IV	No	Male/Male Luer Lock	49000181	Not Available	Not Available	N/A
	Yes	No	Yes	72"	IV	No	Male/Male Luer Lock	49000180	Not Available	Not Available	N/A
	Yes	Yes	Yes	2"	IV	Yes, 3-way	Male/Female Luer Lock	49000139	Not Available	Not Available	N/A
	Yes	Yes	Yes	2"	IV	No	Male/Male Luer Lock	49000357	Not Available	Not Available	N/A
	No	No	No	72"	Large Bore	No	Female/Male Luer Lock	45602545	Not Available	Not Available	N/A
	No	No	No	72"	Large Bore	No	Male/Male Luer Lock	45602640	Not Available	Not Available	N/A


2. Non-Chambered In-Line Contrast Management Systems

	One-Way Check Valves	Roller Clamp	Tubing Length	Tubing Color	Tubing Type	Stopcock	Fitting	Convenience Kit Part Number	Customer UPN Number	Single Sterile Part Number	Units
 <p>As shown: 40400018</p>  <p>As shown: 64000010</p>	Yes	Yes	72"	Green Striped	IV	No	Male/Male Luer Lock	40400018	Not Available	Not Available	N/A
	Yes	Yes	72"	Clear	IV	3-way	Male/Male Luer Lock	40400010	H965640000101	Not Available	Box/10
	Yes	Yes	72"	Clear	Large Bore	3-way	Male/Male Luer Lock	49000245	Not Available	Not Available	N/A

Contrast Management Systems

3. Contrast Controller Spike Assembly

Customer
UPN Number

	Pressurized or Non-Pressurized	Vented or Non-Vented	Chamber or Spike Head	Tubing Length	Stopcock	Fitting	Convenience Kit Part Number	Single Sterile Part Number	Units
	Non-Pressurized	Vented	Spike Head	1.5"	1-way	Female	40400039	H965904000391	Box/25
	Non-Pressurized	Vented	Spike Head	6"	1-way	Female	40400839	H965904008391	N/A
	Non-Pressurized	Vented	Spike Head	1.5"	3-way	Female	45627083	Not Available	N/A
	Pressurized	Vented	Sosa Spike Head	2"	1-way	Female	46601501	H749621300071	Box/25
	Non-Pressurized	Vented	Chamber	3"	1-way	Female	40400001	H965640000901	Box/25

As shown:
90400039

Closed Fluid Systems are designed to collect and contain patient waste.

Types of Systems

1. Protection Station®

- Closed system that administers saline and collects waste
- Can be used either on the manifold or off the manifold

2. Protection Station Plus

- Not typically used with a manifold
- Closed system that administers saline and contrast and collects waste

3. Protection Station Plus with Contrast Management

- Closed system that administers saline and contrast and collects waste
- Contains two in-line check valves, allowing mini spike to be used in multiple patients (up to six hours)
- Requires Contrast Controller Spike Assembly for use, which is typically ordered Single Sterile

4. Angio-Sac® Collection System

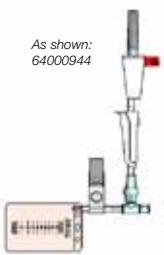




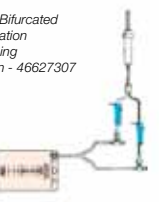
- A waste bag that can be attached to the manifold or used off line

5. Semi-Closed Systems Waste Container


- Holds 500 mL

Part Numbers

1. Protection Station

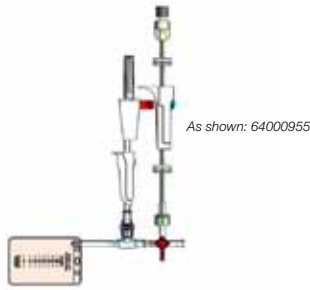
	Description	Pressurized or Non-Pressurized	Convenience Kit Part Number(s)	Customer UPN Number	Single Sterile Part Number	Units
	Protection Station	Non-Pressurized	40400900	H965640009341		Box/20
	Protection Station with Strap Clip	Non-Pressurized	40400900 w/10045242	H965640009441		Box/20
	Protection Station with M-RA Adaptor	Pressurized	40400950 w/40027180	H965640009361		Box/10
	Bifurcated Protection Station with Clip	Non-Pressurized	40400904 w/10045242	H965940009041		Box/20
	Bifurcated Protection Station with Clip and Reflux Valve	Pressurized	40400954 w/10045242 and 40400102	H965940009541		Box/20
	Dual Access Bifurcated Protection Station with One Tubing Striped Green	Pressurized	46627307		Not Available	N/A

2. Protection Station Plus

	Description	Pressurized or Non-Pressurized	Convenience Kit Part Number(s)	Customer UPN Number	Single Sterile Part Number	Units
	Protection Station Plus w/Green Striped Contrast Line	Non-Pressurized	40400910 w/40429019	H965640009351		Box/20
	Protection Station Plus w/Green Striped Contrast Line and Strap Clip	Non-Pressurized	40400910 w/40429019 and 10045242	H965640009451		Box/20
	Protection Station Plus w/Blue Striped Contrast LB Line with Strap Clip	Non-Pressurized	40400910 w/49000056 and 10045242		Not Available	N/A
	Protection Station Plus w/Bonded Reflux Valve and Clip and Green Striped IV Contrast Line	Non-Pressurized	45627690 w/40429019 and 10045242		Not Available	N/A

Closed Fluid Systems

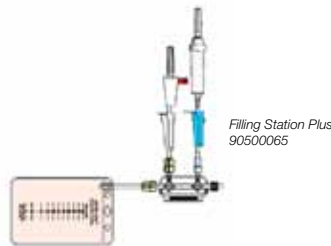
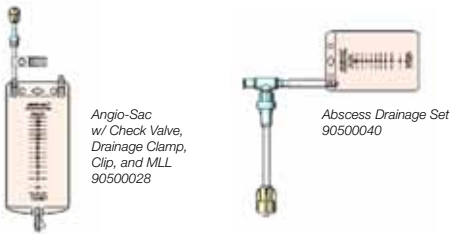
3. Protection Station® Plus with Contrast Management



Description	Pressurized or Non-Pressurized	Convenience Kit Part Number(s)	Customer Order	
			Single Sterile Part Number	Units
Protection Station Plus with Contrast Management	Non-Pressurized	40400910 w/40400010	Not Available	N/A
Protection Station Plus with Contrast Management and Strap Clip	Non-Pressurized	40400910 w/40400010 and 10045242	Not Available	N/A
Protection Station Plus with Green Striped CM Line ^{1,2}	Non-Pressurized	40400911 w/40400018	H965640009551	20
Protection Station Plus with Bonded Reflux Valve with Contrast Management Line	Non-Pressurized	45627690 w/40400010 and 10045242	Not Available	N/A

¹Need Mini-spike – order separately – item 90400039
²Stopcock at bottom of CM line is a 4-way – turns 360°

4. Angio-Sac® Collection System



Description	Bag Size	Fitting	Check Valve	Convenience Kit Part Number(s)	Customer UPN Number	
					Single Sterile Part Number	Units
Angio-Sac Collection System	1000 mL	MLL	No	10500026	H965905000181	Box/25
Angio-Sac (a.k.a. Brewer Sac)	1000 mL	FLL	Yes	40400906	H965640009251	Box/10
Angio-Sac Collection System with Drainage Clamp and Clip	1500 mL	MLL	Yes	40500028 w/10045242	H965905000281	Box/25
48" Angio Sac Collection System with Drainage Clamp	1500 mL	MLL	No	10500022	Not Available	N/A
Abscess Drainage Set	1000 mL	—	—	40400940	H965905000401	Box/10
Palestrant Irrigation and Drainage Set	1500 mL	—	—	40500050, 10500022, and 10045242	H965905000501	Box/5
Filling Station	—	FLL	No	40400106 w/10027052, and 40427275	H965905000601	Box/10
Filling Station Plus	1000 mL	FLL	No	40400106 w/10027052, 40427275 and 10500026	H965905000651	Box/10

5. Semi-Closed System



Description	Bowl Capacity	Convenience Kit Part Number(s)	Customer UPN Number	
			Single Sterile Part Number	Units
Waste Container	500 mL capacity	90510002	H749905100021	Box/20

Products

1. Radiology: Standard Closed Fluid Waste Management Systems

2. Cardiology: Standard Cardiovascular Kits

2A. Standard Angiographic Kit with NAMIC® Manifold

2B. Standard Angiographic Kit with Perceptor® Manifold

3. Standard Right Heart Kits

Part Numbers

1. Radiology: Standard Closed Fluid Waste Management Systems

Description	Customer UPN Number	
	Single Sterile Part Number	Units
Standard Protection Station® System	H749913102001	Box/10
Standard Protection Station System with 10 cc Radiology Control Syringe	H749913102101	Box/10
Standard Protection Station System with 10 cc Radiology Control Syringe and 48" flexCIL® Contrast Injection Line	H749913102201	Box/10
Standard Protection Station System with 10 cc Radiology Control Syringe, Polypropylene Syringes, and 48" flexCIL Contrast Injection Line	H749913102301	Box/10
Standard Protection Station Plus System	H749913103001	Box/10
Standard Protection Station Plus System with 10 cc Radiology Control Syringe	H749913103101	Box/10
Standard Protection Station Plus System with 10 cc Radiology Control Syringe and 48" flexCIL Contrast Injection Line	H749913103201	Box/10
Standard Protection Station Plus System with 10 cc Radiology Control Syringe, Polypropylene Syringes, and 48" flexCIL Contrast Injection Line	H749913103301	Box/10

2. Cardiology: Standard Cardiovascular Kits

2A. Standard Angiographic Kit with NAMIC Manifold

Description	Customer UPN Number	
	Single Sterile Part Number	Units
Three-Valve NAMIC Manifold with Ports on Right and OFF Handles	H965913013011	Box/10
Three-Valve NAMIC Manifold with Ports on Right and ON Handles	H965913013031	Box/10
Each Kit Contains: Specified Manifold; 182 cm (72") Chambered IV Spike with Filter; 182 cm (72") Vented IV Spike; 122 cm (48") Pressure Monitoring Line		

As shown:
91301301



2B. Standard Angiographic Kit with Perceptor NAMIC Manifold

Description	Customer UPN Number	
	Single Sterile Part Number	Units
Three-Valve Perceptor Manifold with Ports on Right and OFF Handles	H965913013071	Box/10
Three-Valve Perceptor Manifold with Ports on Right and ON Handles	H965913013081	Box/10
Each Kit Contains: Specified Manifold; 182 cm (72") Chambered IV Spike with Filter; 182 cm (72") Vented IV Spike		

As shown:
91301308



3. Standard Right Heart Kits (NAMIC Transducer only)

Description	Cable Length	Customer UPN Number	
		Single Sterile Part Number	Units
Stopcock End Port	48"	H965700300211	Box/20
Stopcock Side Port	48"	H965700300201	Box/20

As shown:
70030020



As shown:
70030021



Contrast Injection Lines

Contrast Injection Lines are used to connect the power injector to the catheter or manifold and can also be used as extension tubing between the manifold and catheter.

Specifications

	1. LPCIL	2. HPCIL	3. clearaCIL™	4. flexCIL®
PSI Rating	500 psi	1000 psi	1200 psi	1200 psi
Flexibility	Medium	Low	Medium	High
Clarity	High	High	High	Medium
ID	0.089"	0.089"	0.071"	0.071"
OD	0.159"	0.188"	0.141"	0.142"
Material	PVC	PVC	Co-extruded Nylon/Urethane	Braided Polyurethane

Options

Standard Lengths

- 10", 20", 30" and 48"

Other Lengths

- 60", 72", 80", and 96"

Fittings

- Female Luer Lock (FLL) to Male Luer Lock (MLL)
- FLL to Rotating Adaptor (RA)
- MLL to MLL

Part Numbers

1. LPCIL (Low Pressure Contrast Injection Line)



Female to Male Luer Lock Fitting

	PSI Rating	Length	Fittings	Convenience Kit Part Number	Customer UPN Number Single Sterile Part Number	Units
	500 psi	10"	FLL – MLL	41021102	H965910211021	Box/25
	500 psi	10"	FLL – RA	49000153	Not Available	N/A
	500 psi	10"	MLL – RA	45632124	Not Available	N/A
	500 psi	20"	FLL – MLL	41021202	H965910212021	Box/25
	500 psi	20"	FLL – RA	45632116	Not Available	N/A
	500 psi	20"	MLL – MLL	41022202	Not Available	N/A
	500 psi	30"	FLL – MLL	41021302	H965910213021	Box/25
	500 psi	48"	FLL – MLL	41021482	H965910214821	25
	500 psi	48"	FLL – RA	45632106	Not Available	N/A
	500 psi	48"	MLL – MLL	41022482	Not Available	N/A
	500 psi	60"	FLL – MLL	41021602	Not Available	N/A
	500 psi	72"	FLL – MLL	41021722	Not Available	N/A
	500 psi	72"	MLL – MLL	41022722	Not Available	N/A

2. HPCIL (High Pressure Contrast Injection Line)



Female to Rotating Adaptor Fitting

	PSI Rating	Length	Fittings	Convenience Kit Part Number	Customer UPN Number Single Sterile Part Number	Units
	1000 psi	10"	FLL – MLL	41011102	H965910111021	Box/25
	1000 psi	10"	FLL – RA	41001103	H965910011031	Box/25
	1000 psi	20"	FLL – MLL	41011202	H965910112021	Box/25
	1000 psi	20"	FLL – RA	41001203	H965910012031	Box/25
	1000 psi	30"	FLL – MLL	41011302	H965910113021	Box/25
	1000 psi	30"	FLL – RA	41001303	H965910013031	Box/25
	1000 psi	48"	FLL – MLL	41011482	H965910114821	Box/25
	1000 psi	48"	FLL – RA	41001483	H965910014831	Box/25
	1000 psi	60"	FLL – MLL	41011602	H749910116021	Box/25
	1000 psi	60"	FLL – RA	41001603	H749910016031	Box/25
	1000 psi	60"	MLL – MLL	41012602	Not Available	N/A
	1000 psi	72"	FLL – MLL	41011722	Not Available	N/A
	1000 psi	72"	FLL – RA	45632122	Not Available	N/A
	1000 psi	80"	FLL – RA	41001803	Not Available	N/A
	1000 psi	96"	FLL – MLL	41011962	Not Available	N/A

Contrast Injection Lines

3. clearaCIL™ High Pressure Contrast Injection Line



	PSI Rating	Length	Fittings	Convenience Kit Part Number	Customer UPN Number	
					Single Sterile Part Number	Units
	1200 psi	10"	FLL – MLL	41031102	H965910311021	Box/25
	1200 psi	10"	FLL – RA	41031103	H965910311031	Box/25
	1200 psi	20"	FLL – MLL	41031202	H965910312021	Box/25
	1200 psi	20"	FLL – RA	41031203	H965910312031	Box/25
	1200 psi	30"	FLL – MLL	41031302	H965910313021	Box/25
	1200 psi	30"	FLL – RA	41031303	H965910313031	Box/25
	1200 psi	48"	FLL – MLL	41031482	H965910314821	Box/25
	1200 psi	48"	FLL – RA	41031483	H965910314831	Box/25

4. flexCIL® High Pressure Contrast Injection Line



	PSI Rating	Length	Fittings	Convenience Kit Part Number	Customer UPN Number	
					Single Sterile Part Number	Units
	1200 psi	4"	FLL – MLL	41051042	None	N/A
	1200 psi	10"	FLL – MLL	41051102	H965910511021	Box/25
	1200 psi	10"	FLL – RA	41051103	H965910511031	Box/25
	1200 psi	20"	FLL – MLL	41051202	H965910512021	Box/25
	1200 psi	20"	FLL – RA	41051203	H965910512031	Box/25
	1200 psi	30"	FLL – MLL	41051302	H965910513021	Box/25
	1200 psi	30"	FLL – RA	41051303	H965910513031	Box/25
	1200 psi	48"	FLL – FLL	41051481	Not Available	N/A
	1200 psi	48"	FLL – MLL	41051482	H965910514821	Box/25
	1200 psi	48"	FLL – RA	41051483	H965910514831	Box/25
	1200 psi	60"	FLL – MLL	41051602	H749910516021	Box/25
	1200 psi	60"	FLL – RA	41051603	H749910516031	Box/25
	1200 psi	72"	FLL – MLL	41051722	H749910517221	Box/25
	1200 psi	72"	FLL – RA	41051723	H749910517231	Box/25

Pressure Monitoring Lines

Pressure Monitoring Lines (PML) are used to carry a patient's pressure to the disposable pressure transducer.

Specifications

	1. Adult Lines	2. Pediatric Lines
ID	0.059"	0.044"
OD	0.128"	0.098"
Tubing Material	PVC (Polyvinylchloride)	
Pressure Rating	Not Rated (Note: Do not power-inject contrast through PML)	

PML Options

Fittings

- Female-Male or Male-Male

Lengths

- 6", 12", 24", 36", 48", 60", 72", 84", and 96"

Other

- Colored striped tubing may be available—Contact Customer Service.

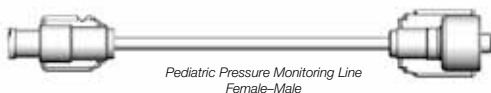
Part Numbers

1. Adult Lines



			Customer UPN Number		
	Fittings	Length	Convenience Kit Part Number	Single Sterile Part Number	Units
	Female-Male	6"	40701062	H965907010621	Box/25
	Female-Male	12"	40701122	H965907011221	Box/25
	Female-Male	24"	40701242	H965907012421	Box/25
	Female-Male	36"	40701362	H965907013621	Box/25
	Female-Male	48"	40701482	H965907014821	Box/25
	Female-Male	60"	40701602	H965907016021	Box/25
	Female-Male	72"	40701722	H965907017221	Box/25
	Female-Male	84"	40701842	H965907018421	Box/25
	Female-Male	96"	40701962	H965907019621	Box/25
	Male-Male	12"	40702122	H965907021221	Box/25
	Male-Male	24"	40702242	H965907022421	Box/25
	Male-Male	36"	40702362	H965907023621	Box/25
	Male-Male	48"	40702482	H965907024821	Box/25
	Male-Male	60"	40702602	H965907026021	Box/25
	Male-Male	72"	40702722	H965907027221	Box/25
	Male-Male	84"	40702842	H965907028421	Box/25
	Male-Male	96"	40702962	H965907029621	Box/25

2. Pediatric Lines



			Customer UPN Number		
	Fittings	Length	Convenience Kit Part Number	Single Sterile Part Number	Units
	Female-Male	6"	40711062	H965907110621	Box/25
	Female-Male	12"	40711122	H965907111221	Box/25
	Female-Male	24"	40711242	H965907112421	Box/25
	Female-Male	36"	40711362	H965907113621	Box/25
	Female-Male	48"	40711482	H965709114821	Box/25
	Female-Male	72"	40711722	H965907117221	Box/25
	Male-Male	12"	40712122	H965907121221	Box/25
	Male-Male	24"	40712242	H965907122421	Box/25
	Male-Male	36"	40712362	H965907123621	Box/25
	Male-Male	48"	40712482	H965907124821	Box/25
	Male-Male	72"	40712722	H965907127221	Box/25

Stopcocks are used as on/off valves.

Stopcock Specifications

Body Material: Polycarbonate
Handle Material: Acetal
ID of Lumen: 0.075"
Fluid Uses: Excludes Lipids

Stopcock Types

1. Extension Sets with Stopcocks

- Pediatric
- Adult

2. Stopcocks

3. FloSwitch® HP

- 1050 psi rating
- Available in Convenience Kits only
- 1-way Stopcock with Slide Handle

Stopcock Options

Body Styles: Port Fittings

- 1-way: 1 Female 1 Male
- 3-way: 2 Female 1 Male
- 4-way: 2 Female 1 Male

Handle Styles

- 1-way: Tee Handles
- 3 and 4-way: OFF Handles

Handle Colors (Standard)

- White: Low Pressure
- Pale Blue: Medium Pressure
- Navy Blue: High Pressure
- Red: 4-way Low and Medium Pressure

Pressure ratings

- Low Pressure: 200 psi
- Medium Pressure: 400 psi
- High Pressure: 1050 psi

Fittings

- Female Luer Lock
- Rotating Collar: To tighten to stopcock
- Luer Lock: Allows no movement once attached
- Rotating Adaptor (RA): Allows uninhibited rotation once attached
- Male Slip Tip (MST)

Extension Set Options

Tubing Type

- Pediatric
- Adult
- IV

Tubing Length

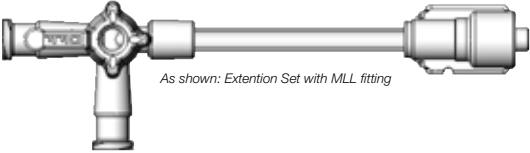
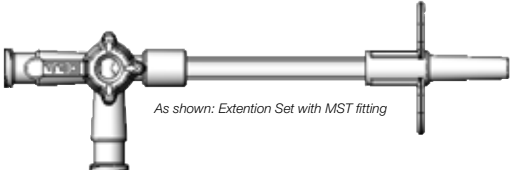
- Pediatric: 4.5"
- Adult: 6", 9"
- IV: 12", 20", or 33"

Fitting Options

- MLL (Male Luer Lock)
- MST (Male Slip Tip)

Part Numbers

1. Extension Sets with Stopcocks

	Patient Type	Tubing Length	Tubing Type	Body Style	Fitting	Convenience Kit Part Number	Customer UPN Number Single Sterile Part Number	Units
 <p>As shown: Extension Set with MLL fitting</p>	Pediatric	4.5"	PML	3-way	MLL	40703050	H965907030501	Box/25
	Adult	6"	PML	3-way	MLL	40703062	H965907030621	Box/25
	Adult	9"	PML	3-way	MLL	40703092	H965907030921	Box/25
	Adult	12"	PML	3-way	MLL	40703122	H965907031221	Box/25
	Adult	12"	IV	3-way	MST	40015312	H965700153121	Box/25
	Adult	20"	IV	3-way	MST	40015320	H965700153201	Box/25
 <p>As shown: Extension Set with MST fitting</p>	Adult	33"	IV	3-way	MST	40015333	H965700153331	Box/25
	Adult	12"	IV	4-way	MST	40015412	H965700154121	Box/25
	Adult	20"	IV	4-way	MST	40015420	H965700154201	Box/25
	Adult	33"	IV	4-way	MST	40015433	H965700154331	Box/25

Stopcocks

2. Stopcocks

					Customer UPN Number	
	Body Style	Pressure	Male Fitting	Convenience Kit Part Number	Single Sterile Part Number	Units
 <p>As shown: 70015015</p>	1-way	Low	MST	40015016	H965700150161	Box/50
	1-way	Low	Rotating Collar	40015015	H965700150151	Box/50
	1-way	High	Fixed	40055017	H965700550171	Box/50
	3-way	Low	MST	40015000	H965700150001	Box/50
 <p>As shown: 70015002</p>	3-way	Low	Rotating Collar	40015002	H965700150021	Box/50
	3-way	Low	Fixed	40015003	H965700150031	Box/50
	3-way	Medium	Rotating Collar	40035002	H965700350021	Box/50
	3-way	Medium	Fixed	40035003	H965700350031	Box/50
	3-way	Medium	RA – Right	40035009	H965700350091	Box/50
	3-way	Medium	RA – Left	40035008	H965700350081	Box/50
 <p>As shown: 70035009</p>	3-way	High	Fixed	40055003	H965700550031	Box/50
	3-way	High	RA – Right	40055009	H965700550091	Box/50
	3-way	High	RA – Left	40055008	H965700550081	Box/50
	4-way	Low	MST	40015010	H965700150011	Box/50
 <p>As shown: 70055008</p>	4-way	Low	Rotating Collar	40015012	H965700150121	Box/50
	4-way	Low	Fixed	40015013	H965700150131	Box/50
	4-way	Medium	Rotating Collar	40035012	H965700350121	Box/50
	4-way	Medium	Fixed	40035013	H965700350131	Box/50
	FloSwitch® HP	High	Fixed	10045600	Not Available	N/A



As shown: 70035013



FloSwitch™ HP

Angiographic Diagnostic Guidewires are used for the percutaneous introduction of vascular catheters.

Types

1. Fixed Core J-Tip
2. Fixed Core Straight
3. Movable Core J-Tip
4. Benston Wire
5. Rosen Wire
6. Newton Wire

Options

- | | | | | |
|--|---|---|---|--|
| Diameter | Length | J Length | Style | Coating |
| <ul style="list-style-type: none"> • 0.018" • 0.025" • 0.032" • 0.035" • 0.038" | <ul style="list-style-type: none"> • 60 cm • 145 cm • 150 cm • 260 cm | <ul style="list-style-type: none"> • 1.5 mm • 3.0 mm • 6.0 mm • 15.0 mm | <ul style="list-style-type: none"> • Long Taper • Long, Long Taper • Soft • Rosen • FS (Finger Straightenable) • FSEZ (Easy Finger Straightenable) • DE (Double Ended) | <ul style="list-style-type: none"> • PTFE (Teflon) • PTFE/HB (Heparin Coated Teflon) |

Part Numbers

Angiographic Guidewires

1. Fixed Core J-Tip

OD (Inch)	OD (mm)	Length	Tip Description	Core	Taper Length	Coating	Convenience Kit Part Number	Customer UPN Number Single Sterile Part Number	Units
0.025	<0.69	145 cm	3 mm J	Fixed		PTFE	97000216	H965970002161	Box/10
0.032	<0.87	145 cm	3 mm J	Fixed		PTFE	97000232	H965970002321	Box/10
0.035	<0.94	145 cm	3 mm J	Fixed		PTFE	19700202	H965970002021	Box/10
0.035	0.89	150 cm	3 mm J FS	Fixed	3 cm	PTFE	19200181	Not Available	N/A
0.035	0.89	145 cm	3 mm J	Fixed		PTFE/Heparin	19700203	H965970002031	Box/10
0.035	0.89	150 cm	3 mm J FS	Fixed	3 cm	PTFE/Heparin	19200651	Not Available	N/A
0.035	<0.94	145 cm	3 mm J	Fixed	LT 10 cm	PTFE	97000208	H965970002081	Box/10
0.035	<0.94	145 cm	3 mm J EZ	Fixed		PTFE	97000222	H965970002221	Box/10
0.035	<0.94	145 cm	15 mm J	Fixed		PTFE	97000217	H965970002171	Box/10
0.035		150 cm	15 mm J	Fixed		PTFE	96000217	H965960002171	Box/5
0.035	0.89	145 cm	15 mm J FS	Fixed		PTFE/Heparin	97000219	H965970002191	Box/10
0.035	<0.94	145 cm	6 mm J	Fixed		PTFE	97000235	H965970002351	Box/10
0.035	<0.94	175 cm	3 mm J	Fixed		PTFE	19700210	H965970002101	Box/10
0.035	0.89	180 cm	3 mm J FS	Fixed	3 cm	PTFE	19200201	Not Available	N/A
0.035	0.89	180 cm	3 mm J FS	Fixed	3 cm	PTFE/Heparin	19200671	Not Available	N/A
0.035	0.89	150 cm	15 mm J FS	Fixed	3 cm	PTFE	19200221	Not Available	N/A
0.035	<0.94	260 cm	3 mm J	Fixed		PTFE	97000405	H965970004051	Box/10
0.038	<1.01	145 cm	3 mm J	Fixed		PTFE	19700205	H965970002051	Box/10
0.038	0.97	150 cm	3 mm J FS	Fixed	3 cm	PTFE	19200182	Not Available	N/A
0.038	0.97	145 cm	3 mm J	Fixed		PTFE/Heparin	19700206	H965970002061	Box/10
0.038	0.97	145 cm	3 mm J	Fixed	LT 10 cm	PTFE/Heparin	97000233	H965970002331	Box/10
0.038	<1.01	175 cm	3 mm J	Fixed		PTFE	97000211	H965970002111	Box/10
0.038	<1.01	260 cm	3 mm J	Fixed		PTFE	97000406	H965970004061	Box/10
0.035	<0.94	145 cm	1.5 mm J/Straight	Fixed, Double Ended		PTFE	97000307	H965970003071	Box/10
0.035	<0.94	145 cm	3 mm J/Straight	Fixed, Double Ended		PTFE	97000303	H965970003031	Box/10
0.038	<1.01	145 cm	3 mm J/Straight	Fixed, Double Ended		PTFE	97000302	H965970003021	Box/10
0.035		150 cm	3 mm J/Straight	Fixed, Double Ended		PTFE	96000301	H965960003011	Box/5
0.035		150 cm	3 mm J/Straight	Fixed, Double Ended		PTFE/Heparin	96000303	H965960003031	Box/5

Guidewires

2. Fixed Core Straight

								Customer UPN Number	
OD (Inch)	OD (mm)	Length	Tip Description	Core	Taper Length	Coating	Convenience Kit Part Number	Single Sterile Part Number	Units
0.018	<0.51	60 cm	Straight	Fixed		PTFE	97000108	H965970001081	Box/10
0.025	<0.69	60 cm	Straight	Fixed	LT 15 cm	PTFE	97000109	H965970001091	Box/10
0.025	<0.69	145 cm	Straight	Fixed		PTFE	97000107	H965970001071	Box/10
0.032	<0.87	60 cm	Straight	Fixed	LT 15 cm	PTFE	97000113	H965970001131	Box/10
0.035	<0.94	145 cm	Straight	Fixed		PTFE	97000101	H965970001011	Box/10
0.035	0.89	145 cm	Straight	Fixed		PTFE/Heparin	97000102	H965970001021	Box/10
0.035	0.89	150 cm	Straight	Fixed	3 cm	PTFE	19200011	Not Available	N/A
0.035	<0.94	145 cm	Straight	Fixed	LT 10 cm	PTFE	97000105	H965970001051	Box/10
0.035	<0.94	260 cm	Straight	Fixed		PTFE	97000401	H965970004011	Box/10
0.038	<1.01	145 cm	Straight	Fixed		PTFE	97000103	H965970001031	Box/10
0.038	0.97	145 cm	Straight	Fixed		PTFE/Heparin	97000104	H965970001041	Box/10
0.038	<1.01	145 cm	Straight	Fixed	LT 10 cm	PTFE	97000106	H965970001061	Box/10
0.038	<1.01	145 cm	Straight	Fixed	LT 15 cm	PTFE	97000112	H965970001121	Box/10
0.038	<1.01	260 cm	Straight	Fixed	<1.01 mm	PTFE	97000402	H965970004021	Box/10

3. Movable Core J-Tip

								Customer UPN Number	
OD (Inch)	OD (mm)	Length	Tip Description	Core	Taper Length	Coating	Convenience Kit Part Number	Single Sterile Part Number	Units
0.032	<0.87	145 cm	3 mm J	Moveable		PTFE	97000507	H965970005071	Box/10
0.035	<0.94	145 cm	3 mm J	Moveable		PTFE	97000501	H965970005011	Box/10
0.035	0.89	145 cm	3 mm J	Moveable		PTFE/Heparin	97000505	H965970005051	Box/10
0.035	0.89	150 cm	3 mm J FS	Moveable		PTFE	19200321	Not Available	N/A
0.035	0.89	145 cm	3 mm J FS	Moveable	7 cm	PTFE/Heparin	19600001	Not Available	N/A
0.038	<1.01	145 cm	3 mm J	Moveable		PTFE	97000503	H965970005031	Box/10
0.038	0.97	145 cm	3 mm J	Moveable		PTFE/Heparin	97000504	H965970005041	Box/10
0.038	0.97	175 cm	3 mm J	Moveable	0.89 mm	PTFE	97000508	H965970005081	Box/10

4. Benston Wire

								Customer UPN Number	
OD (Inch)	OD (mm)	Length	Tip Description	Core	Taper Length	Coating	Convenience Kit Part Number	Single Sterile Part Number	Units
0.035	<0.91	145 cm	Softwire, Straight	Fixed		PTFE	97000601	H965970006011	Box/10
0.035	0.89	150 cm	Straight	Fixed		PTFE/Heparin	96000603	H965960006031	Box/5
0.035	0.89	150 cm	Straight	Fixed	15 cm	PTFE	19200451	Not Available	N/A
0.035	0.89	180 cm	Straight	Fixed	15 cm	PTFE	19200471	Not Available	N/A
0.035	0.89	180 cm	Straight	Fixed	15 cm	PTFE/Heparin	19200771	Not Available	N/A
0.038	<0.98	145 cm	Softwire, Straight	Fixed	.089 mm	PTFE	97000602	H965970006021	Box/10

5. Rosen Wire

								Customer UPN Number	
OD (Inch)	OD (mm)	Length	Tip Description	Core	Taper Length	Coating	Convenience Kit Part Number	Single Sterile Part Number	Units
0.035	0.89	150 cm	1.5 mm J	Fixed	3cm	PTFE	19200551	Not Available	N/A
0.035	<0.94	175 cm	Rosen, 1.5 mm J	Fixed	2.5 cm	PTFE	97000201	H965970002011	Box/10
0.035	0.89	180 cm	1.5 mm J	Fixed	3 cm	PTFE	19200561	Not Available	N/A
0.035	0.89	260 cm	1.5 mm J	Fixed	3 cm	PTFE	19200571	Not Available	N/A

6. Newton Wire

								Customer UPN Number	
OD (Inch)	OD (mm)	Length	Tip Description	Core	Taper Length	Coating	Convenience Kit Part Number	Single Sterile Part Number	Units
0.035	0.89	150 cm	3 mm J FS	Fixed	15 cm	PTFE	19200521	Not Available	N/A

Interventional devices and accessories are used during angioplasty procedures.

Products

1. Inflation Devices

- Available only in Fluid Management Convenience Kits

2. Y-Adaptors and Y-Adaptor Kits

- Available in Convenience Kits and Single Sterile

3. Tri-Adaptors and Tri-Adaptor Kits

- Available in Convenience Kits and Single Sterile

4. Torque Devices

- Available in Convenience Kits and Single Sterile
- The Grip® is only available in Single Sterile

5. Guidewire Introducers

- Available in Convenience Kits and Single Sterile

Part Numbers

1. Inflation Devices

Device	Color	Pressure Range	Barrel Volume	Luminescent Gauge	Gauge	Latch Type	Threads	Customer UPN Number		Units
								Convenience Kit Part Number	Single Sterile Part Number	
Encore® 26	Teal and Yellow	0–26 ATM	20 mL	No	Angled/In-Line	Lock/Squeeze	13 threads/square inch, Engaged	48500001	Not Available	N/A
Aria™	Black	0–22 ATM	12 mL	Yes	Angled/In-Line	One-Handed	Engaged/Disengaged	41600002	Not Available	N/A
Aria	Black	0–22 ATM	12 mL	Yes	Off-Line	One-Handed	Engaged/Disengaged	41600005	Not Available	N/A

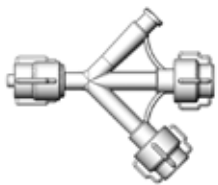
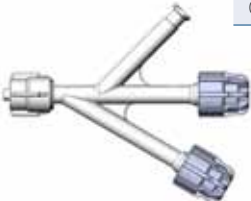


Interventional Devices and Accessories

2. Y-Adaptors and Y-Adaptor Kits




									Customer UPN Number	
Y-Adaptor ID (Inch)	Y-Adaptor Name	Threading (Threads/Inch)	Adaptor Extension	Y-Adaptor PSI Rating	Insertion Tool	Torque Device	Convenience Kit Part Number	Single Sterile Part Number	Units	
 <p>As shown: 91400021</p>	0.100"	Original Y	5/16" x 28 threads/inch	No	200 psi	NAMIC®	No	41400021 10045075	H965914000211	Box/5
	0.100"	Original Y	5/16" x 28 threads/inch	No	200 psi	NAMIC	NAMIC	41400021 10045075 41400303	H965914002211	Box/5
	0.100"	Original Y	5/16" x 28 threads/inch	8"	200 psi	NAMIC	No	41400122 10045075	H965914000231	Box/5
	0.100"	Original Y	5/16" x 20 threads/inch	No	200 psi	NAMIC	No	41400122 10045075	H965640001221	Box/5
 <p>As shown: 91400025</p>	0.100"	Original Y	5/16" x 20 threads/inch	No	200 psi	NAMIC	NAMIC	41400122 10045075 41400303	H965640002221	Box/5
	0.113"	Large Bore Y	5/16" x 28 threads/inch	No	200 psi	NAMIC	No	41400123 10045075	H965640001231	Box/5
	0.113"	Large Bore Y	5/16" x 28 threads/inch	No	200 psi	NAMIC	NAMIC	41400123 10045075 41400303	H965640002231	Box/5
	0.113"	Large Bore Y	5/16" x 28 threads/inch	10"	200 psi	NAMIC	No	41400124 10045075	H965640001241	Box/5
 <p>As shown: 48500002</p>	0.113"	Large Bore Y	5/16" x 28 threads/inch	10"	200 psi	NAMIC	NAMIC	41400124 10045075 41400303	H965640002241	Box/5
	0.125"	Option 125™	3/8" x 24 threads/inch	No	200 psi	NAMIC	No	41400025 10045075	H965914000251	Box/5
	0.125"	Option 125	3/8" x 24 threads/inch	No	200 psi	NAMIC	NAMIC	41400025 10045075 41400303	H965914002251	Box/5
	0.118"	Gateway®	3/8" x 24 threads/inch	No	200 psi	Avenue®	TD2®	48500002 48500004 48500003	H74904494102	Box/10

3. Tri-Adaptors

									Customer UPN Number	
Tri-Adaptor ID (Inch)	Tri-Adaptor Name	Threading (Threads/Inch)	Adaptor Extension	Tri-Adaptor PSI Rating	Insertion Tool	Torque Device	Convenience Kit Part Number	Single Sterile Part Number	Units	
 <p>As shown: 41400031</p>	0.100" Main	Original Y	5/16" x 28 threads/inch	No	200 psi	NAMIC	No	41400031 10045075	H965914000311	Box/5
	0.093" Side	Original Y	5/16" x 28 threads/inch	No	200 psi	NAMIC	NAMIC	41400031 10045075 41400303	H965914002311	Box/5
	0.100" Main	Option 125	3/8" x 24 threads/inch	No	200 psi	NAMIC	No	41400035 10045075	H965914000351	Box/5
	0.093" Side 0.125" Main	Option 125	3/8" x 24 threads/inch	No	200 psi	NAMIC	NAMIC	41400035 10045075 41400303	H965914002351	Box/5
 <p>As shown: 41400035</p>										

Interventional Devices and Accessories

4. Torque Devices

	Device	Color	Wire Size Accepted	Convenience Kit Part Number	Customer UPN Number Single Sterile Part Number	Units
 <i>As shown: H965914003001</i>	NAMIC® Torque Device	Neon Yellow	0.010"–0.018"	41400303	H965914003001	Box/10
 <i>As shown: H74904487202</i>	TD2® Torque Device	Yellow Body/ White Tip	0.010"–0.018"	48500003	H74904487202	Box/20
 <i>As shown: H74902470012</i>	The Grip®	Blue/Teal and White	0.014"–0.018"	Not Available	H74902470012	Box/10

5. Guidewire Introducers



	Device	Color	Maximum Wire Used	Convenience Kit Part Number	Customer UPN Number Single Sterile Part Number	Units
 <i>As shown: 10045075</i>	NAMIC Introducer	Clear Hub	0.018	10045075	H965914004001	Box/10
 <i>As shown: 48500004</i>	Avenue® Insertion Tool	Yellow Hub	0.018	48500004	H74904490202	Box/20

Table Covers, Patient Drapes & Fluoroscope Covers

Products

1. Table Covers

- Absorbable or non-absorbable
- Typically used to cover the “back” table in the sterile field

2. Patient Drapes:

- Typically used to cover a patient during a procedure and have cut-outs to access the patient
- Absorbable or non-absorbable
- Cut-outs for access

3. Fluoroscope Covers:

- Typically used to cover equipment in the sterile field
- Flat Sheet
- Bouffant – Resembles a shower cap – typically used to cover the Image Intensifier (II)
- Regular – Resembles a garbage bag – typically used to cover the Shield

Table Covers, Patient Drapes and Fluoroscope Covers are not available Single Sterile, in Convenience Kits only.

Part Numbers

1. Table Covers

Description	Convenience Kit Part Number
15" wide x 26" long, absorbable with adhesive strips	10045306
42" wide x 40" long, absorbable	10045260
44" wide x 44" long, outside non-absorbable, inside absorbable	10046032
44" wide x 90" long, outside non-absorbable, inside absorbable	10027150

2. Patient Drapes:

Description	Cut Out	Convenience Kit Part Number
24" wide x 26" long, non-absorbable	One in the middle of drape	10045275
38" wide x 60" long, absorbable	One for right leg	10045274
81" wide x 110" long, absorbable	One for each leg	10045268

3. Fluoroscope Covers:

Description	Tape	Style	Convenience Kit Part Number
36" wide x 44" long	Yes	Flat Sheet	10045225
36" wide x 38" long	No	Flat Sheet	10045276
18"	No	Bouffant	10045160
22"	No	Bouffant	10045163
27"	No	Bouffant	10045171
12" wide x 12" long	Yes	Regular	10045165
24" wide x 15" long	Yes	Regular	10045161
30" wide x 36" long	Yes	Regular	10045167
36" wide x 12" long	Yes	Regular	10045157

1. Needles

1A. Vascular Access Needles

- Typically used to access arteries and veins

1B. Hypodermic Needles

- Typically used to access and deliver medications

2. Miscellaneous



- Packaged Caps (dead enders)
- Gauze Pads
- Sharps Containers
- Forceps
- Scalpels
- Connectors/Adaptors
- Scissors
- Miscellaneous

Part Numbers

1A. Vascular Access Needles (Only available in Convenience Kits)

	Gauge	Parts	Wings	Needle Length					
				Non-Safety					Safety
				1½"	2½"	2¾"	2⅞"	2⅞¼"	2¾"
 <i>As shown: 10055047</i>	18	1	No	10055024	—	10055047	—	—	106000521
	18	1	No	—	—	10055015	—	—	—
	18	1	Yes	—	—	10055046	—	—	—
	18	2	Yes	—	—	10055002	10600080	—	—
	18	3	Yes	—	10055018	—	—	—	—
 <i>As shown: 10055046</i>	19	1	No	10055025	—	10055044	—	—	—
	20	1	No	10055026	—	—	—	—	—
	21	1	No	10055027	—	—	—	—	—

1B. Hypodermic Needles (Only available in Convenience Kits)

	Gauge	Needle Length						
		Non-Safety				Safety		
		⅝"	1"	1½"	1½" w/filter	⅝"	1"	1½"
 <i>As shown: 10055031</i>	16	—	—	10055013	—	—	—	—
	18	—	—	10027154	10055001	—	10055031	10055029
	19	—	—	10055007	10045352	—	10055032	10055033
	20	—	—	10027158	—	—	10055034	10055035
	21	—	—	10027157	—	10055036	10055037	10055038
	22	—	10055022	10055003	—	—	10055039	10055040
	23	—	—	10055011	—	10055042	10055041	—
	25	10027155	—	10027156	—	10055030	10055043	—
 <i>As shown: 10055003</i>	26	10055012	—	—	—	—	—	—

Miscellaneous Products

2. Miscellaneous



As shown: 90510001

				Customer UPN Number	
	Category	Description	Convenience Kit Part Number	Single Sterile Part Number	Units
	Packaged Caps	(4) Universal/Dead Enders	(4) 10027000	H965640000011	N/A
	Sharps Containers	Single Needle Holder	10045322	Not Available	N/A
		Sharps Shuttle*	10045323	Not Available	N/A
	Scalpels	Temporary Needle Holder*	10045704	H749905100011	Box/20
		#11 Short Handle	10045371	Not Available	N/A
		#11 Safety with Handle	10045373	Not Available	N/A
		#15 Safety with Handle	10600523	Not Available	N/A
		#11 with Handle	12700401	Not Available	N/A
		#15 with Handle	12700402	Not Available	N/A
		#11 Blade Only	12700404	Not Available	N/A
		#15 Blade Only	12700405	Not Available	N/A
	Scissors	Scissors	10045428	Not Available	N/A
	Gauze (Specify Quantity)	2" x 2"	10045389	Not Available	N/A
		4" x 4"	13000107	Not Available	N/A
	Forceps (Looks Like Tweezers)	Forceps, Metal	10045374	Not Available	N/A
	Reflux Valve	Reflux Valve (Pouch)	40400102	Not Available	N/A
	Connectors/Adaptors	Male to Rotating Adaptor	40027180	H749700271801	Box/25
		Female to Rotating Adaptor	40044103	Not Available	N/A
		Female to Female Tubing 2"	40705101	H965907051011	Box/50
		Male to Male Tubing 2"	40705202	H965907052021	Box/50
	Other Miscellaneous	Bag Decanter	10045119	Not Available	N/A
		Contrast Removal Valve	41300020	H965913000201	Box/25
		Hemo Band	10045168	Not Available	N/A
		Strap Clip	10045242	Not Available	N/A
		Towel, 14" x 25"	10045308	Not Available	N/A
		Hemostats, 5" Mosquito (Matte Finish, Straight)	10045581	Not Available	N/A
		Suture Driver 5" (Silky Finish, Straight)	10045582	Not Available	N/A
		Medicine Cup (Holds 60 mL)	13000104	Not Available	N/A
	Emesis Basin	13000108	Not Available	N/A	

*Holds Several Needles

ABBREVIATED DIRECTIONS FOR USE

Refer to package insert provided with these products for complete Instructions for Use, Contraindications, Potential Complications, Warnings and Precautions prior to using these products. If Navilyst Medical, Inc. product is being used in conjunction with other another manufacturer's product, user must also read and follow that manufacturer's Instructions for Use.

CAUTION: Federal Law (USA) restricts these devices to sale by or on the order of a physician.

NAMIC® COMPENSATOR™ MANIFOLD

INTENDED USE/INDICATIONS FOR USE: Physiological pressure transducers are utilized during invasive pressure monitoring, catheterization procedures and fluid delivery.

CONTRAINDICATIONS: None known.

WARNINGS: Do not exceed the following pressures when using this device - Main lumen: Medium Pressure Manifolds – 1379 kPa (200 psi/14bar) Static pressure; High Pressure Manifolds – 3447 kPa (500 psi/35 bar) Static pressure; Transducer Side Port – 41 kPa (6 psi/300 mmHg). Do not use if package is opened or damaged.

PRECAUTIONS: The Compensator line must be completely filled with saline to produce accurate pressure readings. The female luer end of the Compensator line (placed in a compatible mounting plate) must be at heart level in order to produce accurate readings. During fluid injection through the main lumen of the manifold, ensure proper orientation of the handles so that fluid does not enter the side ports. Do not use transducer Zero/Compensator Port as an injection site for fluids.

ANGIOGRAPHIC WIRES

INDICATION AND USAGE: Guidewires are intended for use in the percutaneous introduction of catheters.

CONTRAINDICATIONS: None known.

WARNINGS: Do not withdraw the guidewire through a metal cannula needle. Withdrawal may damage the guidewire or coating. If strong resistance is met during manipulation, discontinue the procedure and determine the cause for the resistance before proceeding. Avoid bending, kinking or modifying the shape of the wire.

NAMIC STOPCOCKS

INTENDED USE/INDICATIONS FOR USE: NAMIC Stopcocks are intended for use in hemodynamic monitoring procedures and for intraarterial and intravenous administration of water-based solutions or radiographic contrast media.

CONTRAINDICATIONS: None known.

WARNINGS: NAMIC Stopcocks are not recommended for use with lipids. Prolonged exposure to lipid solutions may result in stress cracking or leakage.

NAMIC ANGIOGRAPHIC CONTROL SYRINGE

INTENDED USE/INDICATIONS FOR USE: The NAMIC Angiographic Control Syringe is intended to be used for the intraarterial or intravenous administration of radiographic contrast media.

CONTRAINDICATIONS: None known.

WARNINGS: Do not store fluid in product. Inject immediately after filling. This syringe does not have a pressure gauge device. Therefore, it is not intended for balloon catheter inflation. Over inflation may result in the rupturing of the balloon.

NAMIC DEVICES

Manifolds, Adaptors, Torque Devices, Guidewires, Evacuation Sets, Pressure Monitoring Lines, Angiographic Kits, Fluid Delivery and Injection Sets

INTENDED USE/INDICATIONS FOR USE: These devices are intended to be used in fluid management and/or invasive pressure monitoring systems.

CONTRAINDICATIONS: None known.

NAMIC PROTECTION STATION®

INTENDED USE/INDICATIONS FOR USE: The Protection Station is used for syringe flush, fluid administration and waste containment.

CONTRAINDICATIONS: None known.

PRECAUTIONS: Use proper aseptic technique while handling this product. Pressurized systems are intended for use with non-vented spikes. If using a vented spike in a pressurized system, close the vent flap. In non-pressurized fluid applications verify that the roller clamp is completely open to allow for the proper flow of the fluid during syringe aspirations. To reduce the possibility of back check valve leakage, limit fluid bag height to 36 inches (91 cm) or less. To prevent fluid loss with pressurized fluid applications, do not pressurize the system until the back check valve is connected to a stopcock, manifold or reflux valve. Do not pressurize the system in excess of 41 kPa (300 mmHg/6 psi).

SQUEEZE CONTRAST CONTROLLER®

INTENDED USE/INDICATIONS FOR USE: The purpose of this system is to minimize contrast waste and allow one container of contrast media to be used on more than one patient.

CONTRAINDICATIONS: None known.

WARNINGS: Maintenance of sterility can only be achieved through proper set-up and use. Use proper aseptic technique when handling this device. Do not attempt to flush contrast media or air bubbles back through the contrast delivery system when the Squeeze Contrast Controller chamber is full of fluid. Flushing back through a full Squeeze chamber could damage the two check valves above the chamber and compromise the sterility of the spike assembly and contrast container. Do not use the spike assembly on more than one container of contrast media. Do not use the tubing assembly on more than one patient. Do not leave the spike assembly intact in a container of contrast for longer than six (6) hours. Do not replace the tubing assembly more than two (2) times. If there is any possibility that contamination may have occurred during set-up or use, disassemble and set up new sterile product. Ensure that you are making secure connections when using this device to prevent the introduction of air into the system that could result in embolism and in rare instances death. All connections should be finger tightened. Over tightening can cause cracks and leaks to occur that could result in embolism and/or exposure to biohazards. Examine product carefully for entrapped air and fully debubble prior to injection to minimize the potential for embolism and in rare instances death.

PRECAUTIONS: Carefully read these instructions completely prior to use. The chamber must hang vertically for the green ball to operate effectively.

NAMIC PERCEPTOR® DT DISPOSABLE TRANSDUCER

INTENDED USE/INDICATIONS FOR USE: Physiological pressure transducers are utilized during invasive pressure monitoring, catheterization procedures and fluid delivery.

CONTRAINDICATIONS: None known.

WARNINGS: Check for fluid leakage before and during the procedure. Leaks can result in the loss of sterility, fluid or blood loss, and/or air embolism. If a product leaks before or during use, retighten the leading connection or replace the product. This product does not incorporate protection from accidental over pressurization. Over pressurizing may permanently impair the accuracy of the device. Do not exceed the following pressure when using this device: 41 kPa (300 mmHg/6 psi).

PRECAUTIONS: Carefully read these instructions before using this product. If this product is being used in conjunction with other manufacturers' components, also read their instructions for use. Use proper aseptic techniques while handling this product. The presence of air in the system may dampen the transmission of the patient's pressure to the transducer. Be sure to eliminate all air bubbles. Do not use transducer port as a main injection site for fluids.

NAMIC Y-ADAPTORS AND TRI-ADAPTORS

INTENDED USE/INDICATIONS FOR USE: NAMIC Y-Adaptors and Tri-Adaptors are recommended for supporting a fluid tight seal around percutaneous transluminal catheters and guidewires.

CONTRAINDICATIONS: None known.

WARNINGS: Excessive aspiration rate through the angled side port may result in air bypass through the hemostatic valve.

PRECAUTIONS: Do not over tighten the Y-Adaptor hemostatic valve(s). This may cause the lumen of the catheter to collapse and/or impair free movement of the wire. Always be sure that the hemostatic valve(s) is/are completely closed during aspiration or injection. The user of this device should carefully consider the size of the device to be inserted through the Y-Tri-Adaptor when selecting the size of the Y-Tri-Adaptor to be used. Pressures greater than 200 psi (1379 kPa) may result in leakage or detachment of components.

THE GRIP® TORQUE DEVICE

INTENDED USE/INDICATIONS FOR USE: The Grip Torque Device provides a convenient gripping surface for manipulating steerable guidewires and hypotube style fixed wire catheters used in coronary balloon dilatation. The Grip Torque Device may also be used as an adjustable stop to limit the advancement of the steerable guidewire within the dilatation catheter.

CONTRAINDICATIONS: None known.

WARNINGS: The Grip Torque Device should be used only by physicians thoroughly trained in the technique of percutaneous transluminal coronary angioplasty. Do not use on the polymer portion of any catheter. Do not use if package is opened or damaged.

PRECAUTIONS: Use prior to the "Use By" date on the package.

THE ESSENTIALS™ KIT

AVENUE® INSERTION TOOL

INTENDED USE/INDICATIONS FOR USE: The Avenue Insertion Tool is used to facilitate the introduction of a guidewire during general intravascular procedures.

GATEWAY® PLUS Y-ADAPTOR

INTENDED USE/INDICATIONS FOR USE: The GateWay Plus Y-Adaptor is recommended for providing hemostasis around balloon dilatation catheters, guidewires, and other therapeutic devices during general intravascular procedures.

PRECAUTIONS: Prior to angioplasty, all equipment to be used for the procedure, including the dilatation catheter, should be carefully examined to verify proper function. This device should be used only by physicians thoroughly trained in angioplasty procedures. Before use of this device, administer appropriate anticoagulant. Do not over tighten the adjustable valve. Excessive tightening may inhibit the ability to manipulate the balloon dilation catheter, guidewire or other therapeutic device and may also significantly increase dilatation catheter inflation/deflation times. Since therapeutic devices are fragile, exercise care during handling to reduce the possibility of accidental breakage. If resistance is felt during manipulation, discontinue further movement and determine the cause. Ensure that the balloon dilatation catheters are completely deflated before inserting or withdrawing the balloon through the GateWay Plus Adaptor.

TD2® TORQUE DEVICE

INTENDED USE/INDICATIONS FOR USE: The TD2 Torque Device is used for guidewire manipulation during general intravascular procedures.

WARNINGS: This device should be used only by physicians thoroughly trained in angioplasty procedures.

PRECAUTIONS: Do not over tighten the polymer cap. Excessive tightening may abrade the guidewire coating and make loosening difficult. Should the cap be accidentally removed from the TD2 Torque Device, the collet must be seated in the body before the cap can be put on again.



Navilyst Medical, Inc.
26 Forest Street
Marlborough, MA 01752
www.navilystmedical.com

For more information, call
800.833.9973

© 2012 Navilyst Medical, Inc., or its affiliates.
All rights reserved.

Acceler-8, Angio-Sac, claraCIL, Compensator, Essentials, flexCIL, Namic, Option 125, Perceptor, Protection Station, Saver-7, Squeeze Contrast Controller and Navilyst Medical are trademarks and/or registered trademarks of Navilyst Medical, Inc. Floswitch is a trademark and/or registered trademark of Argon Medical Devices, Inc. All other product names, brand names, and trademarks are trademarks and/or registered trademarks of their respective owners.

NAVM340 (Rev. 2) / 06/12